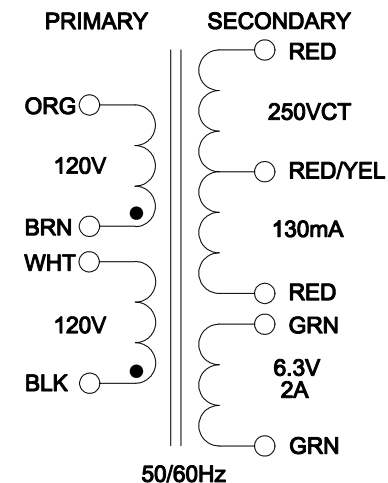
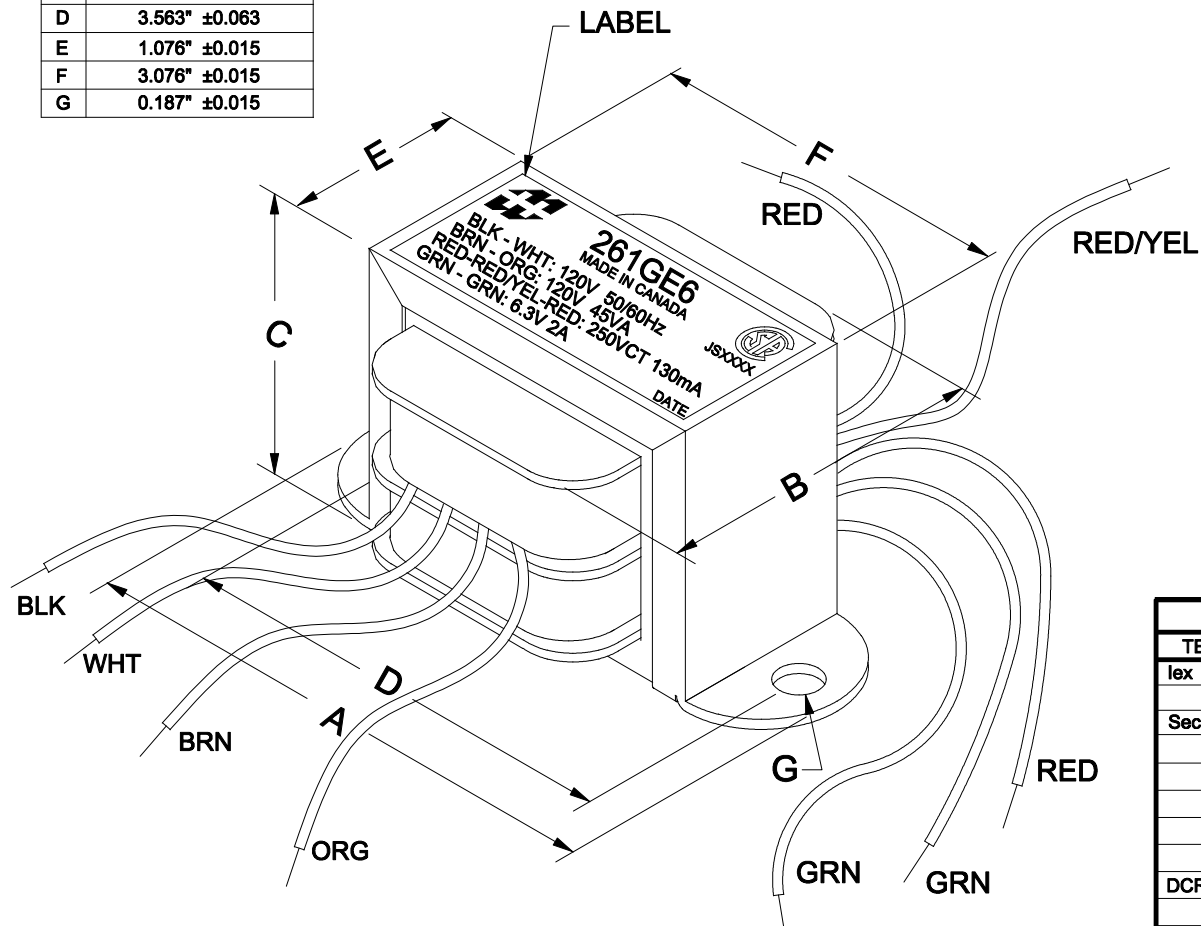


DIMENSIONS:	
A	4.000" ±0.063
B	2.210" ±0.125
C	2.620" ±0.063
D	3.563" ±0.063
E	1.076" ±0.015
F	3.076" ±0.015
G	0.187" ±0.015



NOTE: ALL LEADS 9" OUT MIN. STRIPPED 0.5"

ELECTRICAL DATA:		
TESTS	CONDITIONS	ACCEPTANCE CRITERIA
I _{ex}	@ 115V, 60Hz, BLK - WHT	82mA Max.
Sec. N.L.V	@ 115V, 60Hz, BLK - WHT	
	BRN - ORG =	120.0V ±2%
	RED - RED =	267.2V ±2%
	RED - RED/YEL = RED/YEL - RED =	133.6V ±2%
	GRN - GRN =	6.800V ±2%
DCR	@ 20°C, BLK - WHT =	16.07 Ω ±20%
	@ 20°C, BRN - ORG =	19.66 Ω ±20%
	@ 20°C, RED - RED =	59.52 Ω ±20%
	@ 20°C, GRN - GRN =	0.116 Ω ±20%
HIPOT	PRIMARY - SECONDARY	2000V, 60Hz, 1 SEC

REV.#	REVISION	DATE	HAMMOND ELECTRONIC DIVISION		52 RANKIN PLACE, WATERLOO, ONTARIO, N2J 3Z5	PH # (519) 886-6181 FAX # (519) 886-9540
0	RELEASED.	C.I. 10/19/18	MANUFACTURING™			
			DWG. BY: C. ILIE	CHK'D BY:	TITLE: POWER TRANSFORMER	DWG. NO. 261GE6
			DATE: 10/19/18	APP'D. BY:	DIMENSIONS: IN(X) MM()	