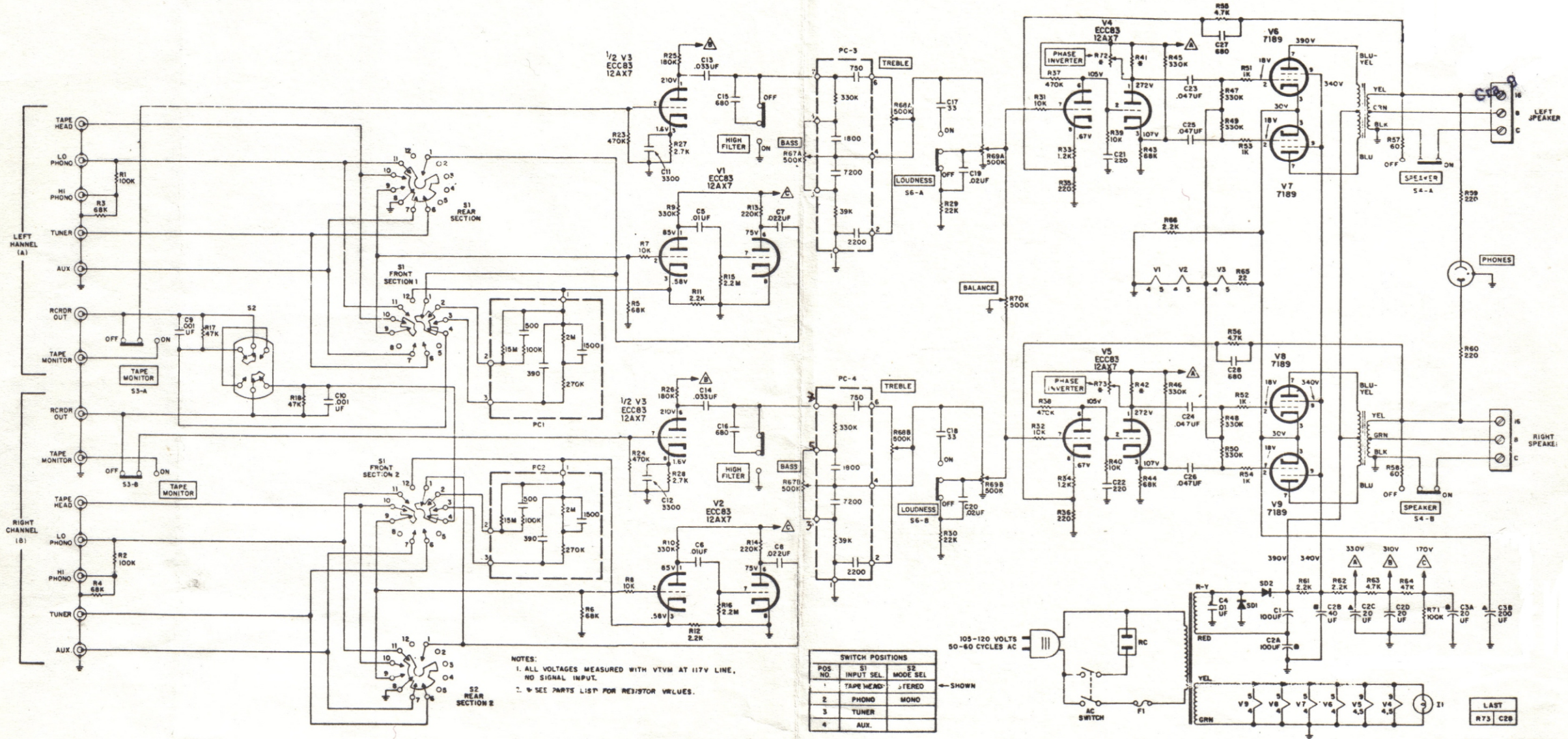


Fisher X100



NOTES:
 1. ALL VOLTAGES MEASURED WITH VTVM AT 117V LINE, NO SIGNAL INPUT.
 2. SEE PARTS LIST FOR RESISTOR VALUES.

| SWITCH POSITIONS | |
|------------------|----------------------------|
| POS. NO. | S1 INPUT SEL. S2 MODE SEL. |
| 1 | TAPE HEAD JERERED |
| 2 | PHONO MONO |
| 3 | TUNER |
| 4 | AUX. |

BECAUSE HIS PRODUCTS ARE SUBJECT TO CONTINUOUS IMPROVEMENT, FISHER RADIO CORPORATION RESERVES THE RIGHT TO MODIFY ANY DESIGN OR SPECIFICATION WITHOUT NOTICE AND WITHOUT INCURRING ANY OBLIGATION.